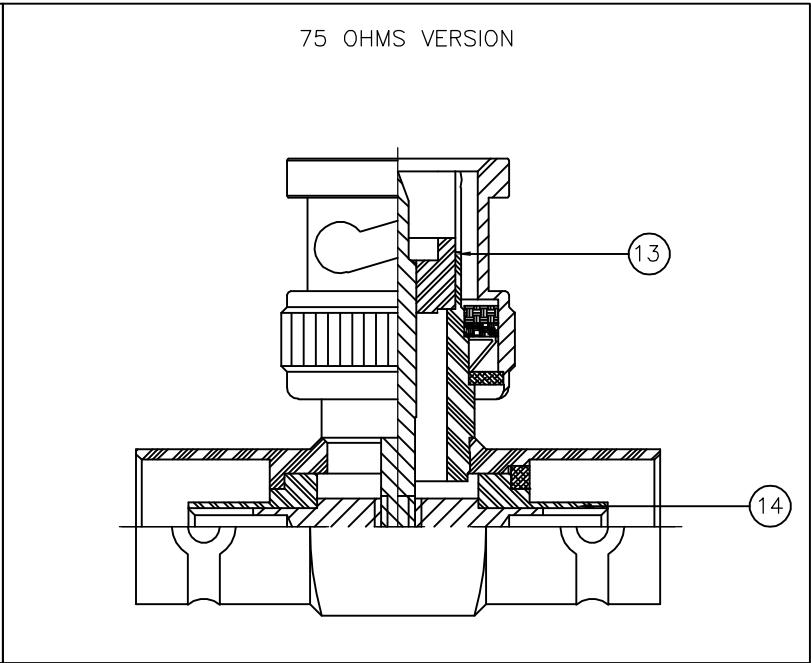
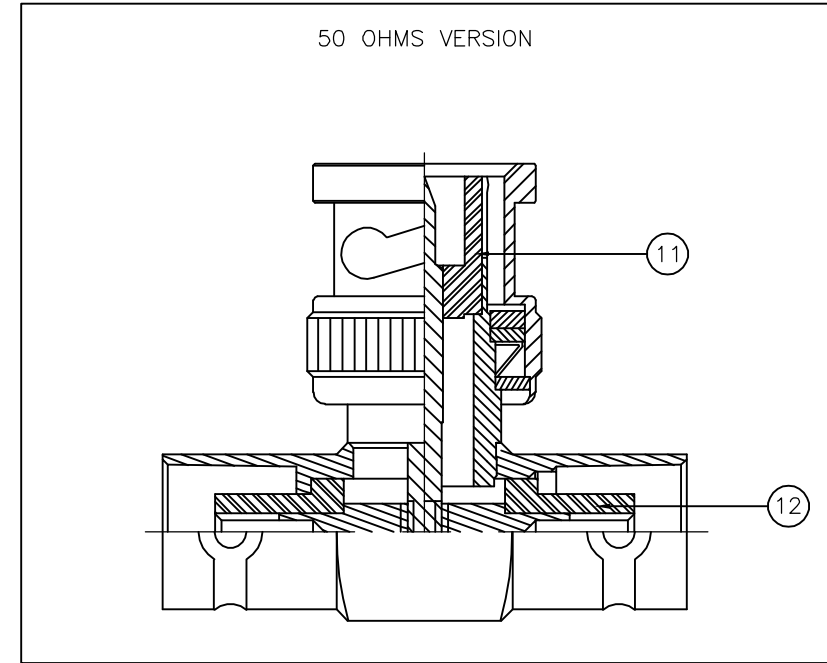
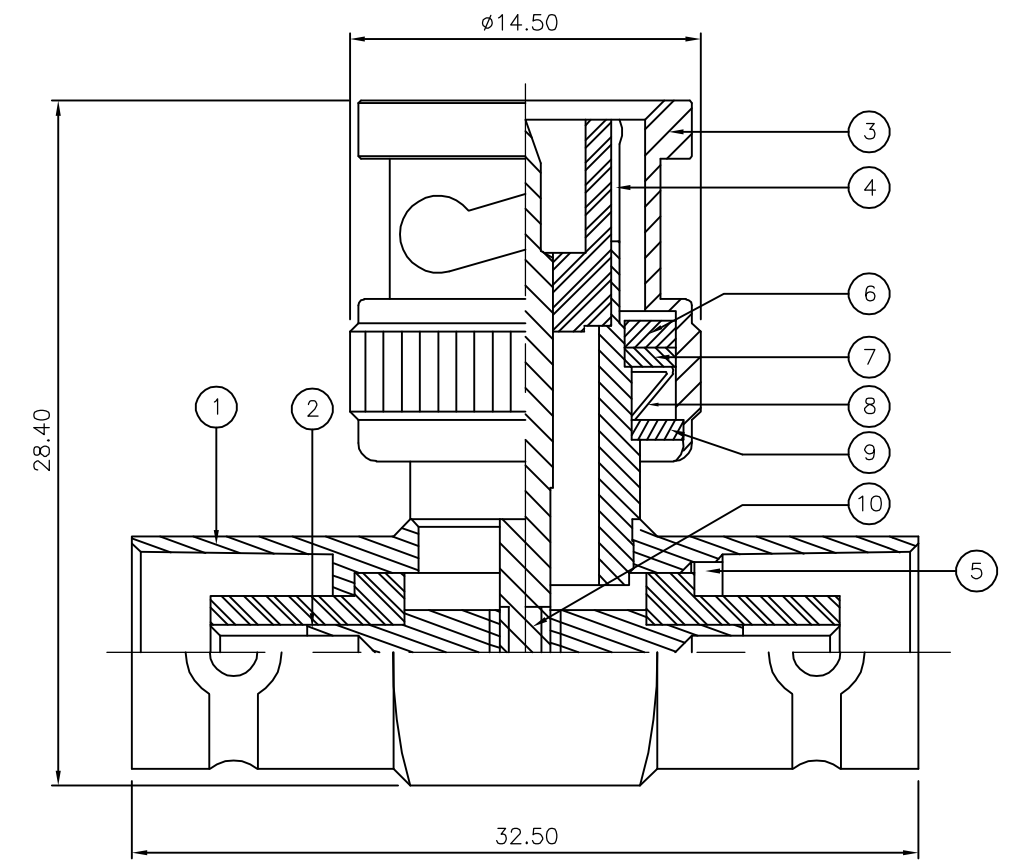


THIS DRAWING IS UNPUBLISHED. RELEASED FOR PUBLICATION DEC ,2005.
 © COPYRIGHT 2005 BY TYCO ELECTRONICS CORPORATION. ALL RIGHTS RESERVED.

LOC	DIST	REVISIONS					
E	B	P	LTR	DESCRIPTION	DATE	DWN	APVD
		D		ECR-06-024212	12OCT2006	JMS	FWK

- NOTES:**
- 1 PACK IN ACCORDANCE WITH AMP SPEC 107-3275
 - 2 100 TRAY PACK IN ACCORDANCE WITH AMP SPEC 107-3275
 - 3 Au PLATING
 - 4 Ni PLATING
 - 5 THIS ITEM MUST BE WHITE
- 6 **ELECTRICAL CHARACTERISTICS**
 FREQUENCY RANGE (50 Ohms): DC - 4 GHz
 FREQUENCY RANGE (75 Ohms): DC - 2 GHz
 NOMINAL IMPEDANCE: 50 Ohm or 75 Ohm
 INSULATION RESISTANCE: 5000 MOhm
 WORKING VOLTAGE: 500 Volts RMS at Sea Level
 DIELECTRIC WITHSTAND VOLTAGE: 1500 Volts RMS Max
 CONTACT RESISTANCE:
 CENTRE CONTACT: 1.50 mOhm Max
 OUTER CONTACT: 0.20 mOhm Max
 VSWR @ xGHz: N/A
 INSERTION LOSS xdb: N/A
- 7 **MECHANICAL CHARACTERISTICS**
 COUPLING RETENTION FORCE: 445N Min
 CABLE RETENTION FORCE: N/A
 DURABILITY: 500 Cycles Min
- 8 **ENVIRONMENTAL CHARACTERISTICS**
 OPERATING TEMPERATURE: -65 to +165 DegC



QTY	QTY	QTY	QTY	MATERIAL	DESCRIPTION	ITEM
2	2	-	-	PTFE	INSULATION	14
1	1	-	-	PTFE	INSULATION	13
-	-	2	2	PTFE	INSULATION	12
-	-	1	1	PTFE	INSULATION	11
1	1	1	1	BRASS	CONTACT II	10
1	1	1	1	BRASS	WASHER	9
1	1	1	1	SPRING STEEL	SPRING	8
1	1	1	1	BRASS	RETAINING RING	7
1	1	1	1	SILICON RUBBER	GASKET	6
1	1	1	1	BRASS	SLEEVE	5
1	1	1	1	BRASS	BODY 2	4
1	1	1	1	BRASS	SHELL	3
1	1	1	1	BRASS	CONTACT I	2
1	1	1	1	BRASS	BODY 1	1
6--1	1--1	6--0	1--0	MATERIAL	DESCRIPTION	ITEM

THIS DRAWING IS A CONTROLLED DOCUMENT.		DWN J.SANDWELL 14DEC05	Tyco Electronics Corporation Bideford EX39 4HE	
DIMENSIONS: mm		CHK S.PARLOW 14DEC05		
TOLERANCES UNLESS OTHERWISE SPECIFIED:		APVD F.WHEELER-KING 14DEC05	NAME BNC TEE ADAPTOR J-P-J 50 OHM AND 75 OHM VERSIONS	
0 PLC ± -		PRODUCT SPEC	SIZE A3	
1 PLC ± -		APPLICATION SPEC	CAGE CODE 00779	
2 PLC ± -		WEIGHT	DRAWING NO C-1337458	
3 PLC ± -		MATERIAL SEE TABLE	RESTRICTED TO	
4 PLC ± -		FINISH	SCALE NTS	
ANGLES ± -		CUSTOMER DRAWING	SHEET 1 OF 1	
FINISH			REV D	